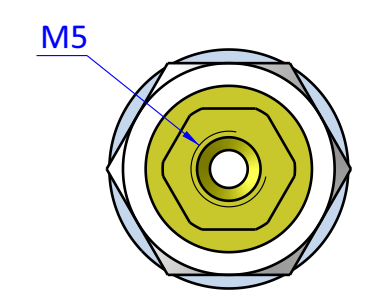
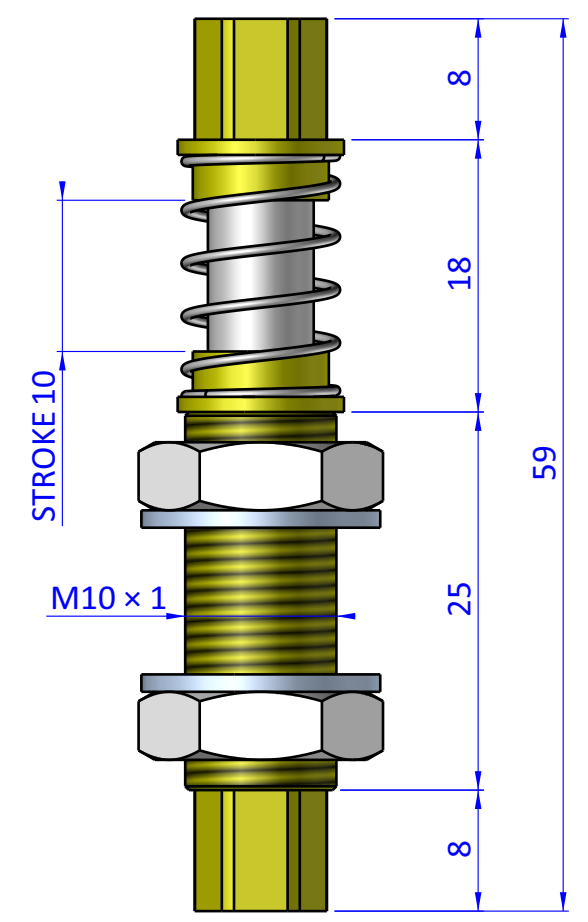
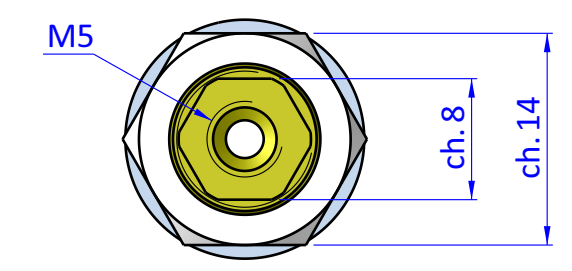
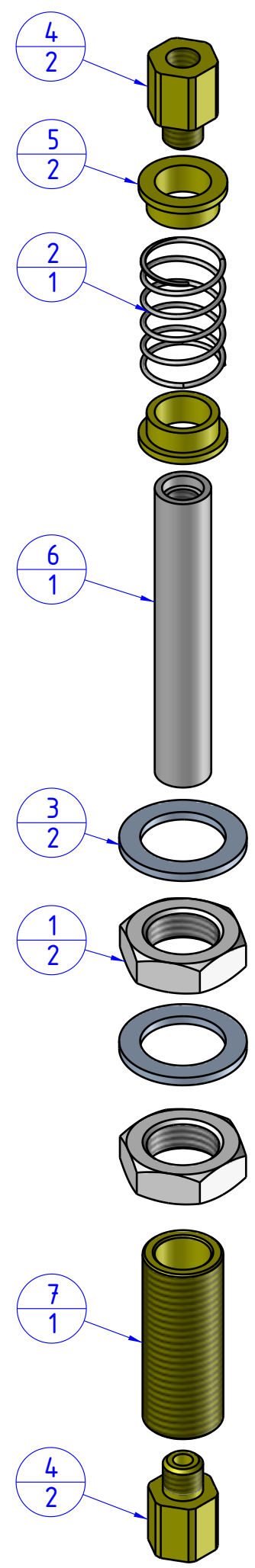


THE PROPERTY OF THE DRAWING IS ESTABLISHED BY LAW. IT IS FORBIDDEN TO PRODUCE OR SHOW IT TO THIRD PART. WITHOUT A WRITTEN AGREEMENT.

Item	Name	Q.ty
1	05.01.005.06	2
2	M.10.5x28	1
3	R.10.SCH	2
4	SAE.10050510.1	2
5	SAE.10050510.4	2
6	SAR.10050510.2	1
7	SARG.10050510.3	1



Format A3  
UNI 936-76

		DESIGNED FROM		REVIEW
		FPS Automation		A
GENERAL TOLERANCE		DATE	WEIGHT	
UNI - ISO 2768		01/09/2022	0,031kg	
CLASSE f		DESCRIPTION	CODE	
		CA.SARG.10050510	CA.SARG.10050510	